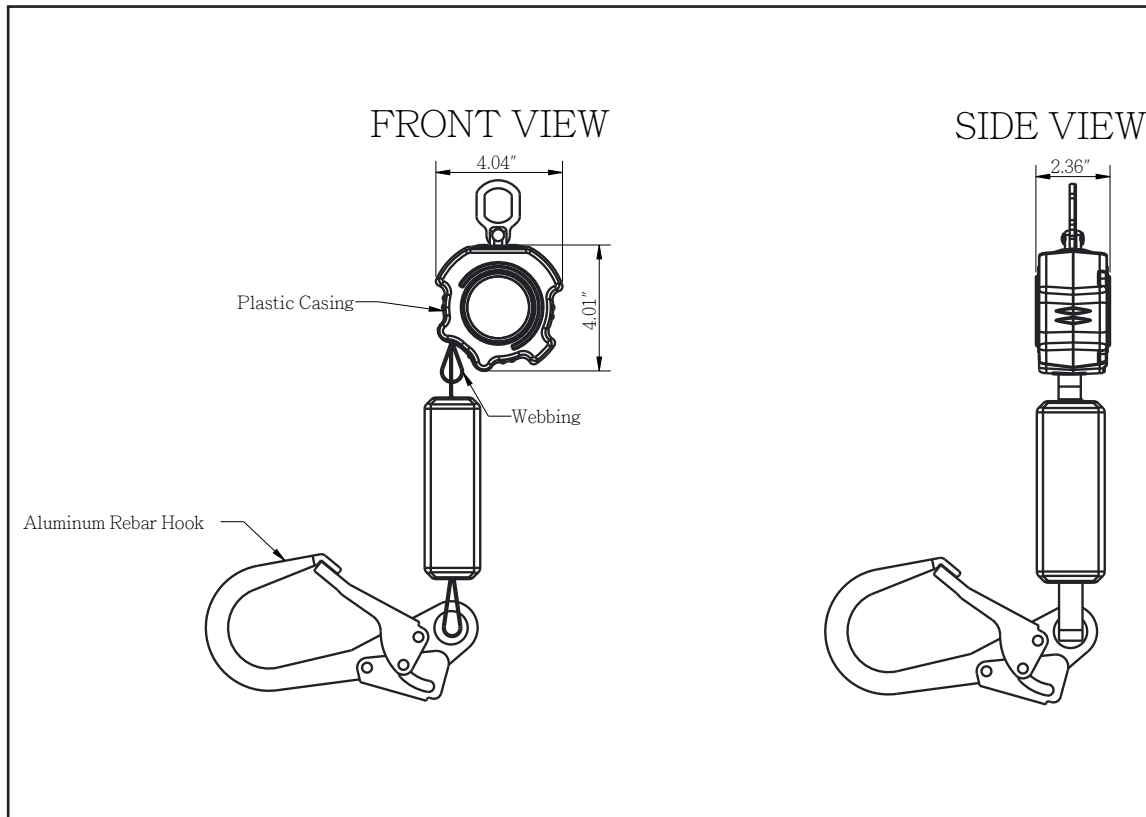


TECHNICAL SPECIFICATIONS

SRL 6' Light Weight Web with Aluminum Rebar Hook

6ft. Retractable web, light weight plastic housing, external shock-pack, 2¼" hook aluminium, ½" carabiner included. Min breaking strength 3000lbs. Rated 420lbs. Meets or Exceeds ANSI Z359.14-2014 Class A.



- PHYSICAL PARAMETERS:**
- Lightest available SRL in its range/class.
 - Robust & durable plastic casting.
 - Technora Webbing with Energy absorber.
 - Aluminum rebar hook at attachment end (PN 159 as per ANSI Z359.12-2009 gate strength 3600 lbs.)

LENGTH: 6 ft. (Maximum)

WEBBING: Material: Technora webbing 13/16"
 Minimum Breaking Strength: 4500 lbs.

VITAL TEST COMPLIANCE:

Static Strength: 3000 lbs. for 1 minute.
 Dynamic Strength: 300 lbs. mass subjected to a 4' free fall. SRL lock and remain lock until released.
 Dynamic Performance: 282 lbs. mass subjected to a zero free fall with extension of 36" webbing. Breaking force less than 1800 lbs. and arrest distance less than 24".

WEIGHT: 2.68 lbs. ± 0.02 lbs.