

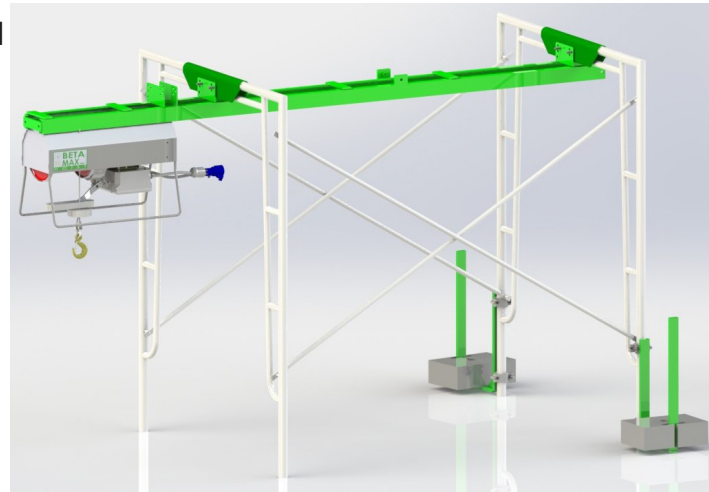


**faster. safer. smarter.**

**SCAFF-TRAC**

### KEY FEATURES

- Complete scaffold lifting solution engineered for easy installation every time. No special tools required
- Optional extensions provide unlimited system length for ease of material delivery through multiple scaffold bays
- Materials are always within easy reach with a 3.5' cantilever for 7' spaced scaffolding and 2.5' cantilever on 8' spaced scaffolding
- Customize this mounting system for use on mast climbing platforms
- All Beta Max Mounting Systems can be tailored to your job-site specifications
- Special saddles are available for mounting to continuous climbing scaffolding
- 11.5ft long Monorail gives you the ability to roll materials inside scaffolding bay for added accessibility of material delivery.
- Counterweight Clamp Assembly installs easily, accommodates standard 50 lb. staging weights and provides complete system counterbalance



### COMPONENT LIST

- Saddle: **60-44**
- Short Pin Assembly: **40-54**
- Long Pin Assembly: **40-55**
- Counter Weight Clamp Assy.: **60-1**
- Scaff-Trac: **60-41**

### COMPATIBLE HOISTS

- **Scorpio Plus XL**
- **Gemini Plus**
- **New Yorker**
- **Leo & Leo XXL (single line only)**

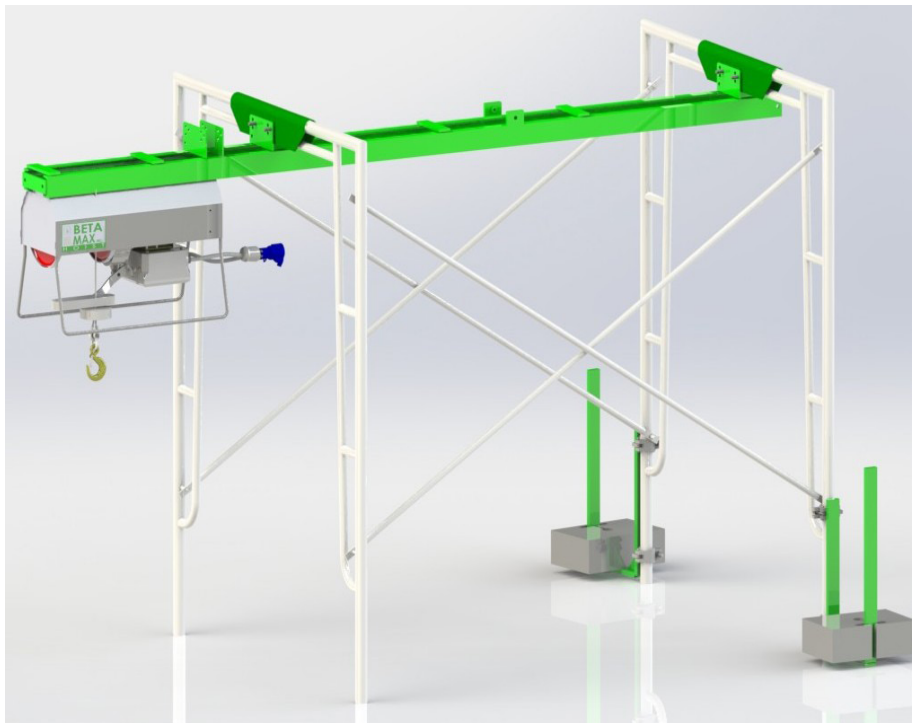


**Contact Beta Max today for local dealer information,  
to discuss your project, or get a quote.**  
[www.BetamaxHoist.com](http://www.BetamaxHoist.com) **(800) 644-6478**



**faster. safer. smarter.**

**SCAFF-TRAC**



### **MOUNTING OPTIONS**

- Designed to be used with our roller top
- Can be used with any of the following Beta Max portable hoists: Scorpio Plus XL, New Yorker, Gemini Plus, Leo/Leo XXL and Leo VFD

**Contact Beta Max today for local dealer information,  
to discuss your project, or get a quote.  
[www.BetamaxHoist.com](http://www.BetamaxHoist.com) (800) 644-6478**