



The best
in industry

tirak® XE500P+ and XE501P+

The new tirak® XE500P+ and XE501P+, a result of continuous development of the reliable and well known tirak® XE500P and XE501P.



SkyTracUSA.com

tirak® XE500P+

tirak® XE501P+

The industry standard just got better

NEW

Tractel® pushes the industry standard to greater heights with our newest tirak®. Already the leader in safety, reliability and durability we now introduce the latest tirak®.

IMPROVED PERFORMANCE

- Highest performance with a voltage range of 170 to 230 volts
- Enhanced motor for added strength
- Reduced noise level for a better work environment indoors and outdoors

INCREASED RELIABILITY

- Less stress under low voltage conditions, this hoist won't leave you hanging
- Single disk driver system, the most reliable in the industry saves time and reduces maintenance
- Synthetic oil increasing the life span, efficiency, and reliability of the hoist
- The longest lasting hoist in the industry

SAFETY FIRST

- BSO blocstop® outside the machine for safety and durability, as well as easy inspection
- Electromagnetic motor brake
- Manual descent device
- Optional overload detection device
- CSA / UL approved



tirak® THE ULTIMATE RENTAL TRACTION HOIST

tirak® the world standard for man-riding hoists. Thanks to its leading-edge technology and its hand-built precision, the tirak® brand has become the standard in which all other man riding hoists are compared. The new P+ series incorporates an advanced motor that is stronger, more reliable and robust to sustain the most difficult working conditions.

tirak® = LOW COST OF MAINTENANCE

- The lowest number of wearing parts keeping maintenance and inspection time to a minimum
- Spare parts inventory not effected as the majority of the wearable parts remain the same.
- Spare parts available from three warehouses across North America
- Separate secondary blocstop® is easy to maintain and inspect
- Voltage meter to easily diagnose voltage problems reducing downtime on the jobsite
- Standard quick connect pendant plug so hoist can be easily prepared
- Lowest TCO (total cost of operation) in the market place making the tirak® the most economical rental hoists in the market

AND MORE!

- Optional hour meter
- **HOISTRACKER**™ compatible for the ultimate in fleet management (ask your sales representative for a demonstration)

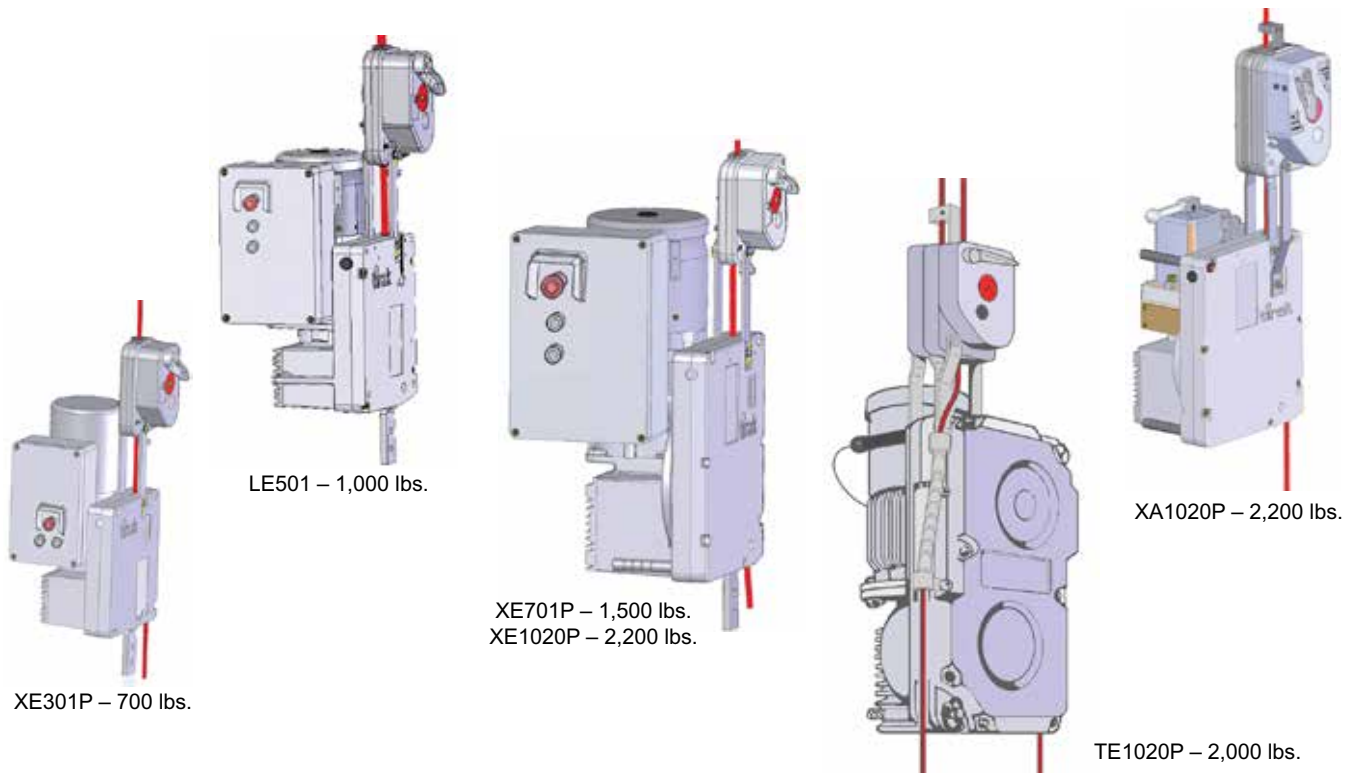


SPECIFICATIONS

MODEL	CAPACITY	SIZE			WEIGHT		NOMINAL CURRENT	SPEED	NOMINAL VOLTAGE	PHASE
		HEIGHT	WIDTH	DEPTH	w/o BSO	WITH BSO				
tirak® XE501P+	1000 lbs.	31 ¹³ / ₁₆ in. (808 mm)	13 ⁹ / ₁₆ in. (338 mm)	14 ⁷ / ₃₂ in. (358 mm)	119 lbs. (54 kg)	128 lbs. (58 kg)	8.3 A	35 ft./min (11 m/min)	208 V	1
tirak® XE500P+	1000 lbs.	31 ¹³ / ₁₆ in. (808 mm)	13 ⁹ / ₁₆ in. (338 mm)	14 ⁷ / ₃₂ in. (358 mm)	97 lbs. (44 kg)	106 lbs. (48 kg)	6.3 A	35 ft./min (11 m/min)	208 V	3

tirak® XE500P+ | tirak® XE501P+

tirak® the widest hoist capacity range available – Tractel® has a solution for any application.



	ELECTRIC								AIR			
	XE301P	LE501P1	LE500P	XE701P ¹	XE700P ¹	TE1020P	XE1020P ²	XE2050P ³	XA300P	XA500P	XA700P ¹	XA1020P ²
RATED LOAD	700 lbs.	1,000 lbs.	1,000 lbs.	1,500 lbs.	1,500 lbs.	2,000 lbs.	2,200 lbs.	4,400 lbs.	700 lbs.	1,000 lbs.	1,500 lbs.	2,200 lbs.
LIFTING SPEED	35 fpm (11 m/min)	35 fpm (11 m/min)	35 fpm (11 m/min)	35 fpm (11 m/min)	35 fpm (11 m/min)	35 fpm (11 m/min)	35 fpm (11 m/min)	22 fpm (7 m/min)	0–30 fpm (0–9 m/min)	0–30 fpm (0–9 m/min)	0–30 fpm (0–9 m/min)	0–30 fpm (0–9 m/min)
WEIGHT*	82 lbs. (37 kg)	84 lbs. (38 kg)	73 lbs. (33 kg)	123 lbs. (56 kg)	112 lbs. (51 kg)	174 lbs. (79 kg)	120 lbs. (54 kg)	185 lbs. (84 kg)	67 lbs. (30.4 kg)	91 lbs. (41.7 kg)	91 lbs. (41.7 kg)	92 lbs. (42 kg)
VOLTAGE	110 V 220 V	220 V	220 V	220 V	220 V	220 V	220 V	220 V	85 PSI	85 PSI	85 PSI	85 PSI
PHASE	Single	Single	Three	Single	Three	Three	Three	Three	–	–	–	–

*Includes BSO secondary brake / Hoist also available with BS/BSO dual blocstops

1. The tirak® XE701P/ XA700P must be adapted for use in Canada (ref. XE721P or XE720P / XA720P) for a 3/8 in. (9.5 mm) wire rope.

2. The tirak® XE1020P / XA1020P must be adapted for use in Canada (ref. XE1030P / XA1030P) for a 10 mm wire rope and will have a rated load of 1,800 lbs. (815 kg).

3. The tirak® XE2050 / XA2050 used in Canada has a rated load of 3,500 lbs. (1,590 kg)

Air and electric hoist have direct control, remote control available on requests for all hoist.

Please inquire for more information.

OFFICE 718-590-7000 TOLL FREE 833-SKYTRAC (833-759-8722)

50-05 47th Avenue Woodside, NY 11377

info@SkyTracUSA.com

www.SkyTracUSA.com

